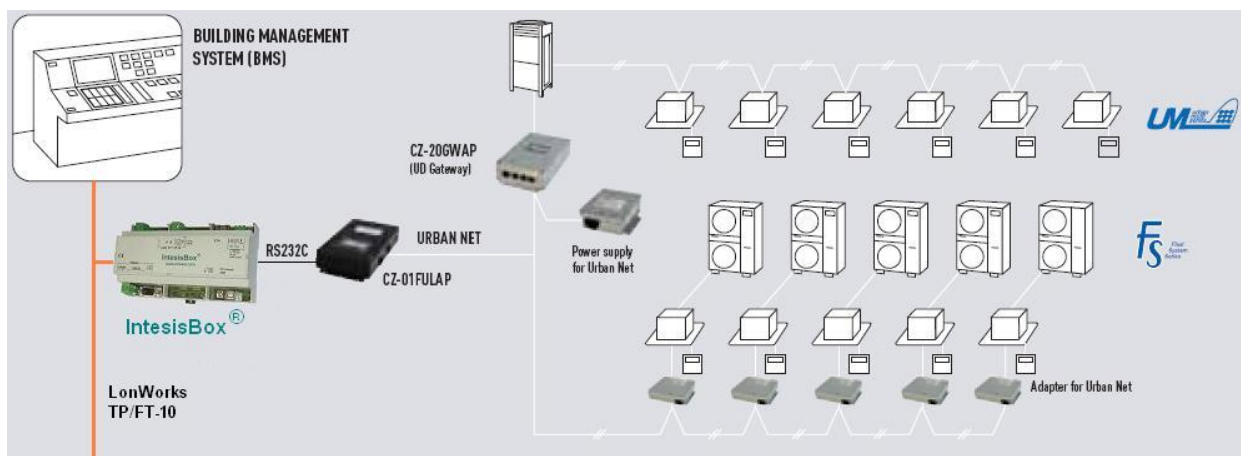




Gateway for the integration of Panasonic AC units (connected to a URBAN NET network) into LonWorks networks



IntesisBox LON PANURBAN allows a complete and natural integration of Panasonic air conditioners in LON TP/FT-10 channels. It is compatible with Panasonic AC devices connected to an URBAN NET network, accessible through a CZ-01FULAP RS232C interface.

With the IntesisBox IBOX-LON-PANURBAN gateway, all the air conditioning installation appears like a node in the LonWorks® network, fully compatible with any standard LonWorks® commissioning tool (LonMaker® and others).

Main characteristics

- DIN RAIL mountable device
- Quick installation.
- Direct connection to a LON TP/FT-10 bus.
- Configuration from any LON commissioning tool.
- 4096 available address table entries –it can talk to 4096 LON devices at same time
- 1221 network variables: total control and supervision.
- Real status of the AC units internal variables.
- Allows using simultaneously AC units' remote controls and LON

IntesisBox Capacity

General	
Max. Number of Panasonic AC units	Up to 64 AC units can be supported through a CZ-01FULAP interface from Panasonic
LON interface	
Channel type	TP/FT-10
Number of network variables	1221 network variables, divided in 65 functional blocks
Configuration Properties	None
Alias table entries	1221 entries (one per network variable)
Address table entries	4096 entries
Domain table entries	2 entries

Reference:

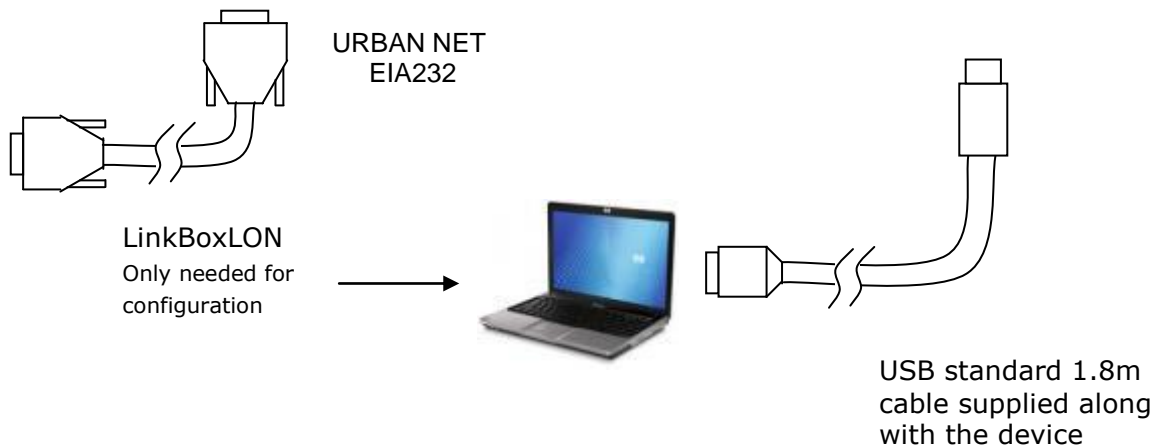
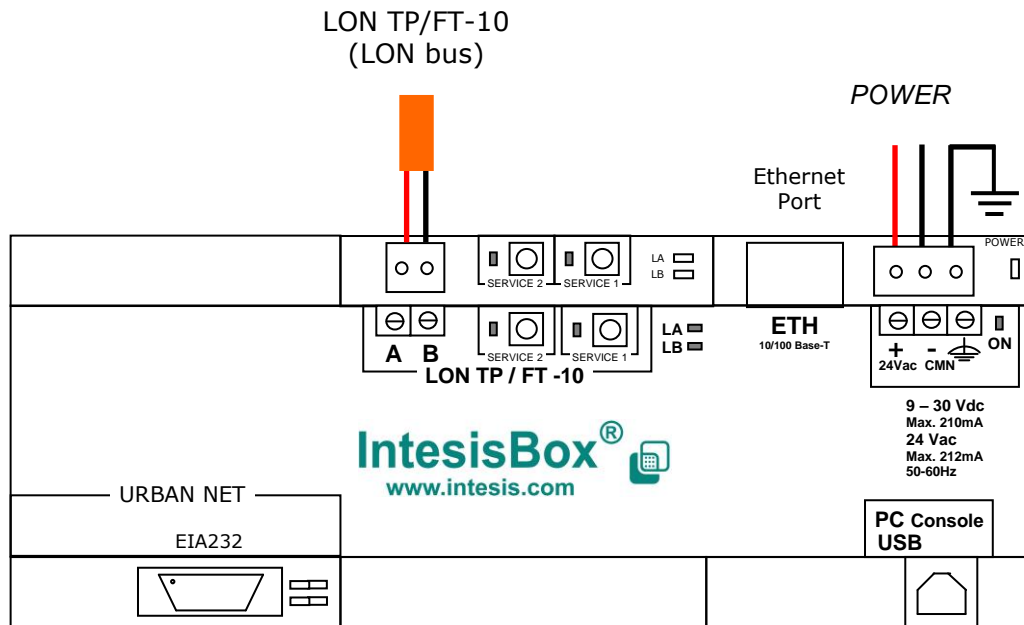
- IBOX-LON-PANURBAN

Mechanical & Electrical characteristics

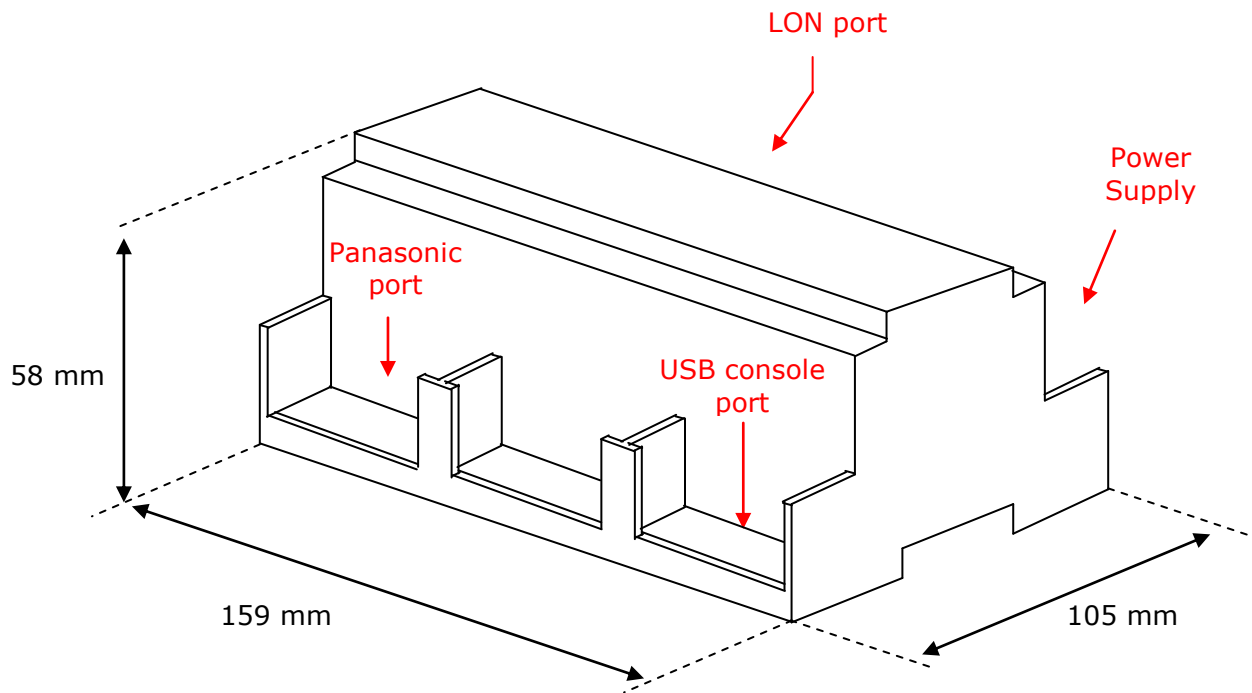
Enclosure	Plastic, type PC (UL 94 V-0). Dimensions: 159mm x 105mm x 58mm.
Color	Grey. RAL 7035.
Power	De 9 a 30Vcc +/-10%, Máx.: 210mA 24Vca +/-10% 50-60Hz, Máx.: 212mA Must use a NEC Class 2 or Limited Power Source (LPS) and SELV rated power supply. Plug-in screw terminal block (2 poles) for 12 AWG cable.
Terminal wiring (for power supply and low-voltage signals)	Per terminal: solid wires or stranded wires (twisted or with ferrule) 1 core: 0.5mm ² ... 2.5mm ² 2 cores: 0.5mm ² ... 1.5mm ² 3 cores: not permitted
Mounting	Wall DIN rail EN60715 TH35.
LON Port	1 x LON TP/FT-10. Plug-in screw terminal block (2 poles) for 12 AWG cable. TNV-1
URBAN NET Port	1 x EIA232. DB9 male connector (DTE). SELV
LED indicators	1 x Power. 2 x URBAN NET EIA232 serial port activity (Tx, Rx). 2 x LON port activity (LA, LB). 1 x <i>service</i> LON.
Switches	1 x <i>service</i> LON.
Console port	USB. Type B female standard connector. SELV
Configuration	The device does not need configuration.
Firmware	Allows upgrades via console port ¹ .
Operational temperature	0°C to +60°C
Operational humidity	10% to 90%, non condensation
Protection	IP20 (IEC60529).
RoHS conformity	Compliant with RoHS directive (2002/95/CE).
Norms and standards	CE conformity to EMC directive (2004/108/EC) and Low-voltage directive (2006/95/EC) EN 61000-6-2 EN 61000-6-3 EN 60950-1 EN 50491-3

¹ Standard cable USB type A-B of 1,8 meters length is supplied with the device for possible firmware updates.

Connections



Dimensions



Recommended available space for its installation into a cabinet (wall or DIN rail mounting), with space enough for external connections:

