

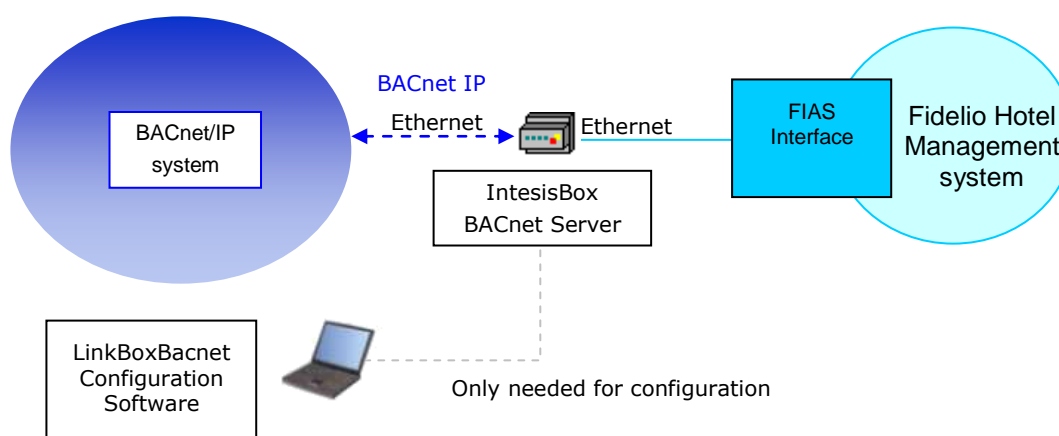


IntesisBox[®]

BACnet Server – Fidelio IP

Gateway for integration of Micros Fidelio Hotel management system into BACnet enabled control systems.

Integrate your Micros Fidelio Hotel management system into your BACnet master device or system (SCADA, BMS, PLC, HMI, TouchPanels...).



Monitor & Control your Micros Fidelio Hotel management system from your Control Center using any commercial SCADA or monitoring software with BACnet driver.


IntesisBox allows BACnet IP communication, with parameters configurable by software.
IntesisBox is a server device

IntesisBox connects to the FIAS interface of the Hotel Management system using a TCP/IP connection.

Monitoring of the room state (checked in/out) through independent BACnet objects. The value in the BACnet object indicates the state of the room the state. Up to 1500 rooms are supported

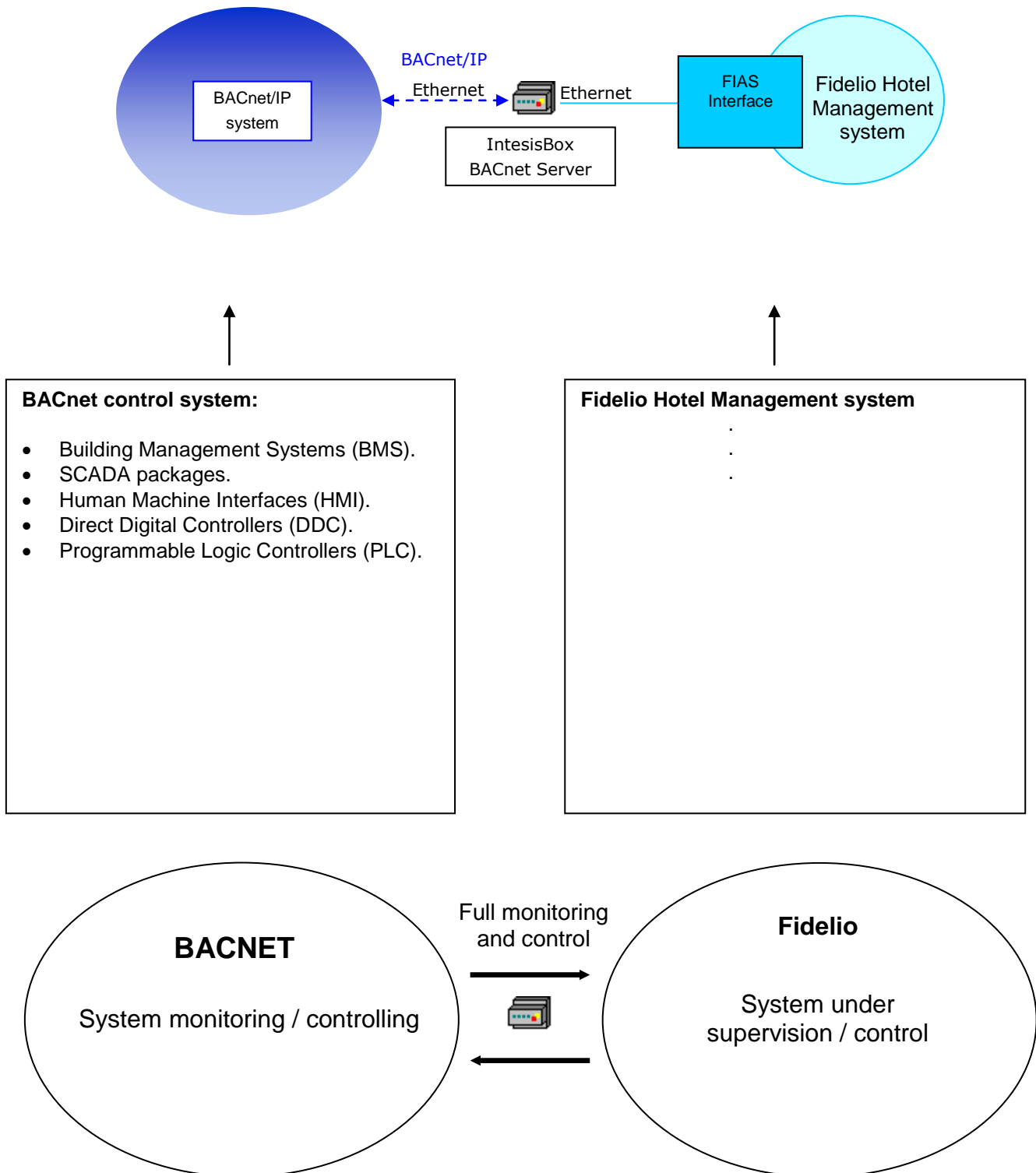
IntesisBox BACnet Server series are configured using *LinkBoxBacnet*, a software tool for windows[™] which is supplied along with the purchase of IntesisBox with no additional cost. *The user interface of LinkBoxBacnet allows simulating the values of the BACnet objects without the need to be connected to the Hotel Management system, very useful while in commissioning phase.*

1. Description

IntesisBox BACnet Server for integration of Micros Fidelio Hotel management system	
Order Code	Description
IBOX-BAC-FIDELIO 	<p>This gateway allows integration of Micros Fidelio Hotel management system into a BACnet master device or system. The gateway acts as a BACnet slave device.</p> <p>Main features</p> <ul style="list-style-type: none"> • Software for configuration and test is supplied with the gateway. • Through the user interface, it is allowed to simulate the status of the BACnet objects without the need to be connected to the Fidelio system • Allows to be mounted on DIN rail, wall or desktop. • Power from 9 to 30Vdc or 24Vac (Power supply supplied) <p>BACnet features</p> <ul style="list-style-type: none"> • BACnet IP • The BACnet objects are all 3-BI (Binary inputs) • BACnet registers from 1 to 1500 can be used. • Each BACnet object is the status of a single room <p>Fidelio features</p> <ul style="list-style-type: none"> • Connected over TCP/IP • Needs the FIAS interface • Up to 1500 rooms can be supervised

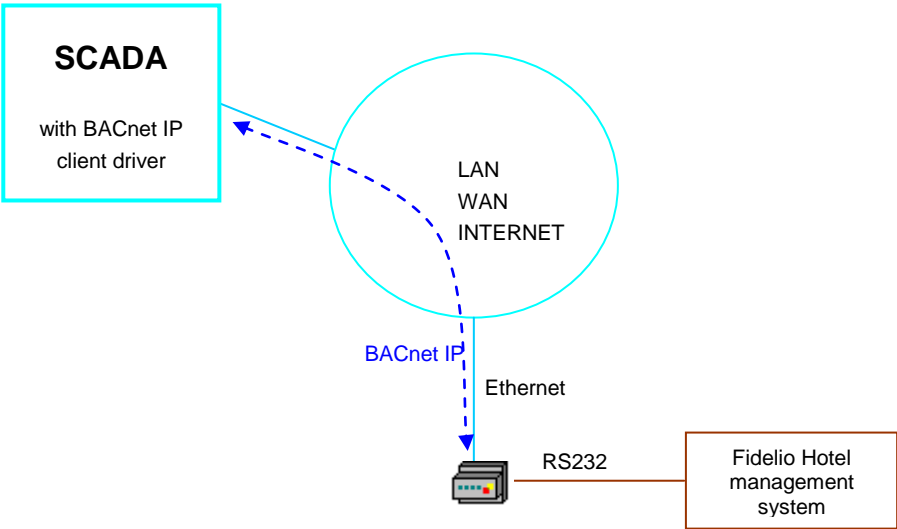
2. Sample applications

Integration of Fidelio’s Hotel management system in any BACnet control systems.



3. Typical application

Monitor & Control of Fidelio’s Hotel management system from a Control Center using any commercial SCADA or monitoring software with BACnet TCP driver.



4. BACnet interface of IntesisBox

The IntesisBox integrates all the Fidelio Rooms in a single BACnet device. The communication with the other BACnet devices is done via the Ethernet port of the gateway which implements the BACnet ASHRAE 135 – 2001 Annex J - BACnet protocol.

The supported BACnet Objects and Building Blocks can be found in the PICS document available on the web:

http://www.intesis.com/pdf/IntesisBox_BACnet_IP_Server_FIDELIO_PICS.pdf

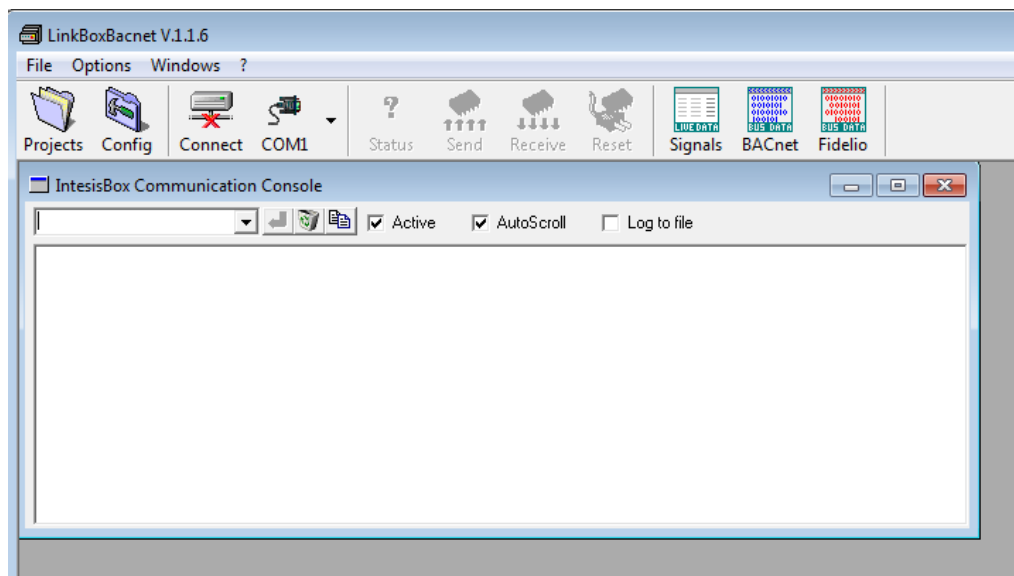
Configuration of all BACnet/IP parameters of IntesisBox and their links to Fidelio using LinkBoxBacnet software tool is covered in its Manual.

5. Fidelio interface of IntesisBox

Micros Fidelio Hotel management system is integrated into BACnet. For that to happen it is necessary to have the FIDELIO software running and with the FIAS interface active. To do so contact the software supplier.

6. Configuration tool

LinkBoxBacnet	<ul style="list-style-type: none"> • Visual engineering tool, easy of use, for gateway's configuration and supervision compatible with Microsoft Windows operating systems, supplied with the gateway free of charge. • Multi-window tool allowing to supervise simultaneously the communication activity with both protocols (systems), real time values for all the signals allowing to modify any value (very useful for test purposes), console window showing debug and working status messages, and configuration windows to configure all the gateway's parameters and signals. • Signals configuration in plain text files (tab separated) for easy and quick configuration using Microsoft Excel (very useful in projects with a lot of points). • Allows configuring the gateway's parameters and signals while in off-line (not connected to the gateway). • Connection to the gateway for download the configuration and supervision by using serial COM port of the PC (serial cable supplied with the gateway) or using Ethernet (UDP). • Allows configuring all the external protocols available for IntesisBox® BACnet Server series. • Upgrades for this software tool available free of charge whenever a new protocol is added to the IntesisBox® BACnet Server series. • Multi-project tool allowing having in the engineer's PC the configuration for all the sites with different IntesisBox® BACnet Server series gateways. • Multi-language tool, all the language-dependent strings are in a plain text file (tab separated) for easy modification or addition of new languages. • A list of system commands is available to send to the gateway for debugging and adjust purposes (Reset, Date/time consultation/adjust, Firmware version request...). • Details can be found in the LinkboxBacnet User Manual
---------------	---



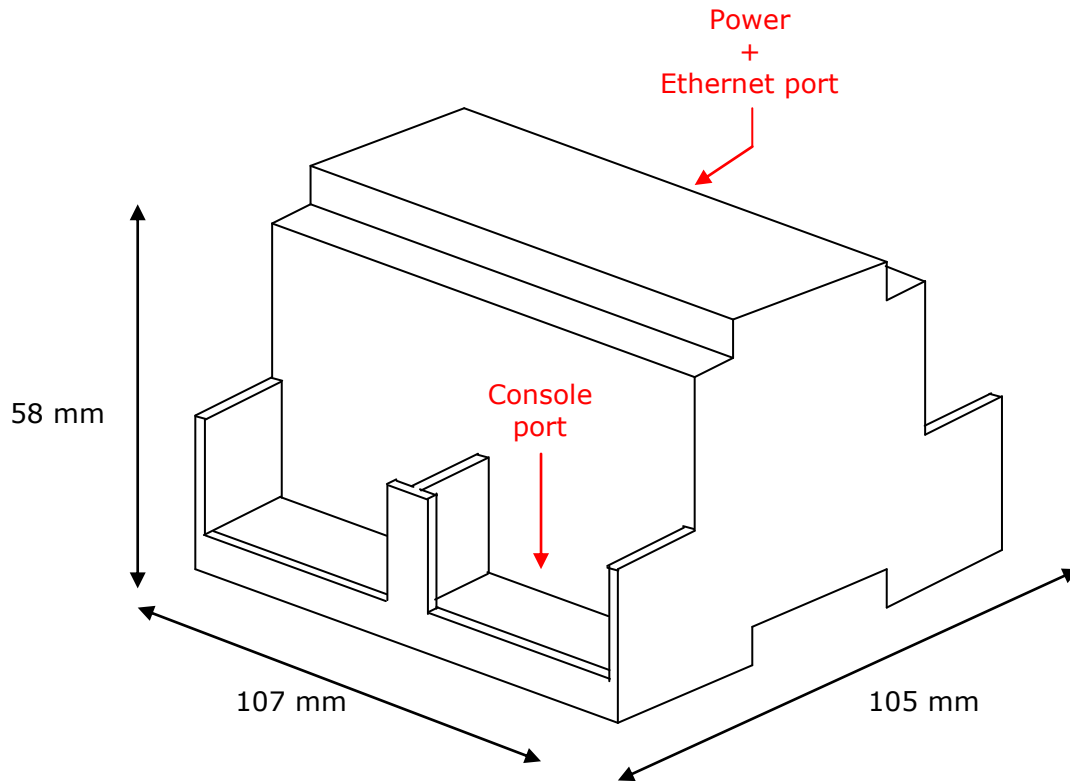
7. Mechanical & Electrical characteristics



Enclosure	Plastic, type PC (UL 94 V-0). Dimensions: 107mm x 105mm x 58mm.
Colour	Light Grey. RAL 7035.
Power	9 to 30Vdc +/-10%, Max.: 125mA. 24Vac +/-10% 50-60Hz, Max.: 127mA Must use a NEC Class 2 or Limited Power Source (LPS) and SELV rated power supply. Plug-in terminal block for power connection (2 poles).
Terminal wiring (for power supply and low-voltage signals)	Per terminal: solid wires or stranded wires (twisted or with ferrule) 1 core: 0.5mm ² ... 2.5mm ² 2 cores: 0.5mm ² ... 1.5mm ² 3 cores: not permitted
Mounting	Wall. DIN rail EN60715 TH35.
BACnet/IP and FIDELIO (TCP/IP) port	1 x Ethernet 10Base-T (RJ45).
LED indicators	1 x Power. 2 x Ethernet port link and activity (LNK, ACT).
Console port	EIA232. (DB9 female connector, DCE). SELV
Configuration	Via console port. ¹
Firmware	Allows upgrades via console port.
Operational temperature	0°C to +70°C
Operational humidity	5 to 95%, non condensing
Protection	IP20 (IEC60529).
RoHS conformity	Compliant with RoHS directive (2002/95/CE).
Norms and standards	CE conformity to EMC directive (2004/108/EC) and Low-voltage directive (2006/95/EC) EN 61000-6-2 EN 61000-6-3 EN 60950-1 EN 50491-3

¹ Standard cable DB9male-DB9female 1,8 meters long is supplied with the device for connection to a PC COM port for configuring and monitoring the device. The configuration software, compatible with Windows[®] operating systems, is also supplied.

8. Dimensions



Free space recommended to install the device, with spacing enough for external connections.

