

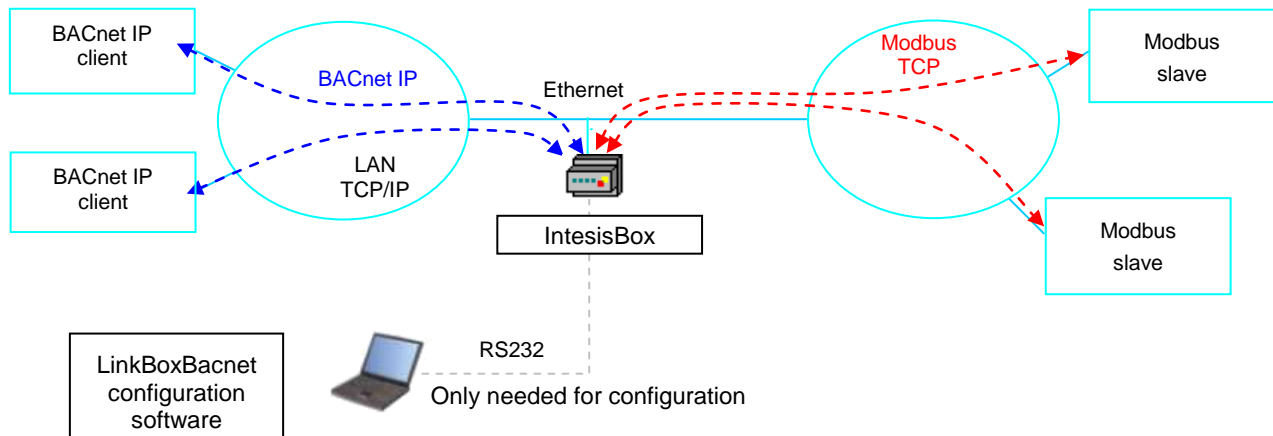


IntesisBox[®]

BACnet/IP Server - Modbus TCP master

Gateway for integration of Modbus TCP slave devices into BACnet IP based systems.

Integrate any Modbus TCP slave device into your BACnet control system.



The Modbus side of IntesisBox

IntesisBox is a Modbus TCP master device that reads/writes points of Modbus TCP slave device(s), and offers these point's values through its BACnet/IP interface. IntesisBox reads Modbus slave device's points by continuous polling (simultaneous polling to all slave devices). *If a non response of the Modbus slave device is detected, the corresponding virtual signal inside IntesisBox will be activated indicating communication error with the Modbus device. All the updated readings received from the slave devices are maintained in IntesisBox's memory for immediate interaction with the BACnet system.*

The BACnet side of IntesisBox

IntesisBox simulates a virtual BACnet device inside the BACnet system acting as server device. Other BACnet client devices connected to the BACnet/IP network can read IntesisBox's internal points by continuous polling or they can make subscription requests (COV).

Write of IntesisBox's internal points is also fully allowed from BACnet network. *Any written value will be translated immediately to the Modbus slave device/register associated.*

The configuration of IntesisBox

IntesisBox BACnet/IP Server series are configured using *LinkBoxBacnet*, a software tool for windows[™] which is supplied along with the purchase of IntesisBox with no additional cost. *With the installation of LinkBoxBacnet, a Demo project for integration of Modbus TCP devices is also installed, using this demo project makes the engineering needed for this integration easy and quick.*

IntesisBox capacity

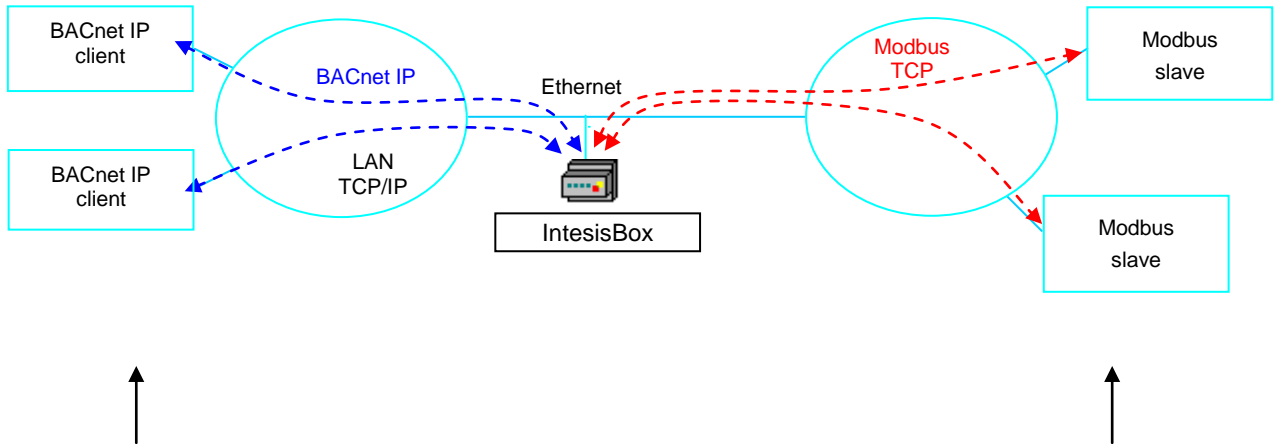
Element	Tiny version	Max. (Basic version)	Max. (Extended version)	Notes
Type of BACnet client devices allowed				Those supporting <i>BACnet ASHRAE 135 – 2001 Annex J - BACnet/IP protocol</i> , commonly referred as BACnet/IP.
Number of BACnet subscription requests (COV)	100	1000	6000	Maximum number of BACnet subscriptions (COV) requests allowed by IntesisBox.
Number of BACnet subscribers	8	8	8	Maximum number of different BACnet subscribers allowed by IntesisBox.
Points	1000	500	3000	Maximum number of points that can be defined into IntesisBox.
Type of Modbus slave devices				Those supporting <i>Modbus TCP protocol</i> . Communication over TCP/IP.
Number of Modbus Slave devices	5	5	5	Number of Modbus TCP Slave devices supported by the device

There are different models of *IntesisBox BACnet/IP Server - Modbus TCP Master*, with different capacity every one of them.

- Tiny model with capacity of 100 internal data points.
Ref.: IBOX-BAC-MBTCP-100.
- Basic model with capacity of 500 internal data points.
Ref.: IBOX-BAC-MBTCP-A.
- Extended model with capacity of 3000 internal data points.
Ref.: IBOX-BAC-MBTCP-B.

Sample applications

Integration of any Modbus TCP slave device into BACnet/IP based control systems.

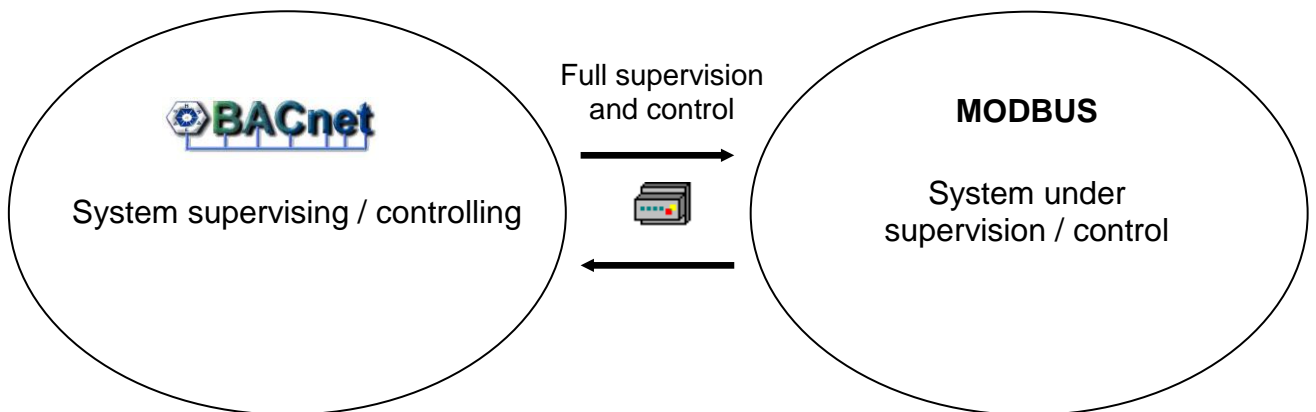


Typical BACnet client devices:

- Building Management Systems (BMS).
- SCADA packages.
- Human Machine Interfaces (HMI).
- Direct Digital Controllers (DDC).
- Programmable Logic Controllers (PLC).
-

Typical Modbus slave devices:

- Chillers.
- Heaters.
- Air conditioners.
- Power meters.
- Energy meters.
- Building Management Systems (BMS).
- Programmable Logic Controllers (PLC).
- Other protocol based systems available using *IntesisBox Modbus Server* series gateways.
- ...



Modbus interface of IntesisBox

Modbus interface	
Device type	Master.
Modbus modes supported	TCP.
Modbus TCP configuration parameters	<ul style="list-style-type: none"> • IP address of the gateway. • Subnet mask of the gateway. • Default router address of the gateway. • IP address of every Modbus TCP device defined. • TCP port of every Modbus TCP device defined.
Interactivity with Modbus system	<ul style="list-style-type: none"> • Read: Continuous polling of Modbus TCP devices and points defined. Updated values are available from BACnet. • Write: Whenever a point's value is changed from BACnet, the new value received is written into the Modbus device/register related. <p>In the gateway you can configure, per each point:</p> <ol style="list-style-type: none"> 1. The Modbus TCP device to which the point belongs. 2. The slave address into the Modbus TCP device. 3. And the register address into the slave. <p>What does it mean? This means that, apart of accessing points inside typical Modbus TCP slave devices, you could also use IntesisBox to talk to a typical Modbus TCP/RTU converter and access the points into Modbus RTU slave devices connected to this converter, all from BACnet.</p>
Points	
Configuration parameters per point	<p>Generic fields.</p> <ul style="list-style-type: none"> • Point description. Useful to identify the point's location into the building. • Active (Yes/No). Useful to deactivate points maintaining the configuration for later use. <p>Modbus related fields.</p> <ul style="list-style-type: none"> • Modbus TCP device number (from the previously defined Modbus TCP devices list). • Slave number into the TCP device. • Register address into the slave. • Bit inside the register (optional). IntesisBox allows bit decoding from generic 16 bits input/holding Modbus registers. <i>Bit coding into 16 bit input/holding Modbus registers is used for some devices to encode digital values into this type of registers, being these registers normally accessible using Modbus function codes 3 and 4 (read holding/input registers).</i> • Modbus function code. <i>See Modbus function codes supported below.</i> • Modbus data coding format. <i>See Modbus data coding formats supported below.</i> <p>This info. must be extracted from the technical documentation of the Modbus devices to integrate.</p>

Modbus interface of IntesisBox (continue).

Modbus function codes supported	<p>For every point, one of the following Modbus function codes can be used:</p> <ul style="list-style-type: none">• 1- Read coils.• 2- Read discrete inputs.• 3- Read holding registers.• 4- Read input registers.• 5- Write single coil.• 6- Write single register.• 15- Write multiple coils.• 16- Write multiple registers.
Modbus data coding formats supported	<p>For every point, one of the following Modbus data coding formats can be used:</p> <ul style="list-style-type: none">• 1 bit.• 16 bits unsigned.• 16 bits signed.• 16 bits signed (two's complement).• 32 bits unsigned.• 32 bits signed.• 32 bits signed (two's complement).• 32 bits IEEE.• 32 bits IEEE inverted.• Bit coded into 16 bits register.• <i>And many more which are device specific.</i>

BACnet interface of IntesisBox

BACnet interface	
Device type	Server
BACnet protocols supported	BACnet ASHRAE 135 – 2001 Annex J - BACnet/IP protocol
Interactivity with BACnet system	<ul style="list-style-type: none"> Point's Read/Write allowed. Subscription requests (COV) allowed.
Configuration capabilities	See configuration parameters below.

Specifications

BACnet Conformance Class Supported: Class 3
 Data Link Layer Option: BACnet IP, (Annex J)

Segmented Requests/Responses Not Supported

BACnet Standard Application Services Supported and more details are explained in BACnet IP Server KNX PICS (protocol implementation conformance statement)

http://www.intesis.com/pdf/IntesisBox_BACnet_IP_Server_Modbus_TCP_master_PICS.pdf

BACnet Standard Object Types Supported

Object Type	Property	Description
Analog Input	Present Value	Analog signal, i.e. Ambient temperature.
Analog Output	Present Value	Analog signal.
Analog Value	Present Value	Analog signal, i.e. Temperature set point value.
Binary Input	Present Value	Digital signal, i.e. ON/OFF status.
Binary Output	Present Value	Digital signal, i.e. ON/OFF command.
Binary Value	Present Value	Digital signal, i.e. ON/OFF status/command.
Multistate Input	Present Value	Multistate signal, i.e. Working mode status.
Multistate Output	Present Value	Multistate signal.
Multistate Value	Present Value	Multistate signal, i.e. Working mode command.

Configuration tool

LinkBoxBacnet	<ul style="list-style-type: none">• Visual engineering tool, easy of use, for gateway's configuration and supervision compatible with Microsoft Windows operating systems, supplied with the gateway free of charge.• Multi-window tool allowing to supervise simultaneously the communication activity with both protocols (systems), real time values for all the signals allowing to modify any value (very useful for test purposes), console window showing debug and operation status messages, and configuration windows to configure all the gateway's parameters and signals.• Signals configuration in plain text files (tab separated) for easy and quick configuration using Microsoft Excel (very useful in projects with a lot of points).• Allows configuring the gateway's parameters and signals while in off-line (not connected to the gateway).• Connection to the gateway for download the configuration and supervision by using serial COM port of the PC (serial cable supplied with the gateway).• Allows configuring all the external protocols available for IntesisBox[®] BACnet IP Server series.• Upgrades for this software tool available free of charge whenever a new protocol is added to the IntesisBox[®] BACnet IP Server series.• Multi-project tool allowing having in the engineer's PC the configuration for all the sites with different IntesisBox[®] BACnet IP Server series gateways.• Multi-language tool, all the language-dependent strings are in a plain text file (tab separated) for easy modification or addition of new languages.• A list of system commands is available to send to the gateway for debugging and adjust purposes (Reset, Date/time consultation/adjust, Firmware version request...).
---------------	---

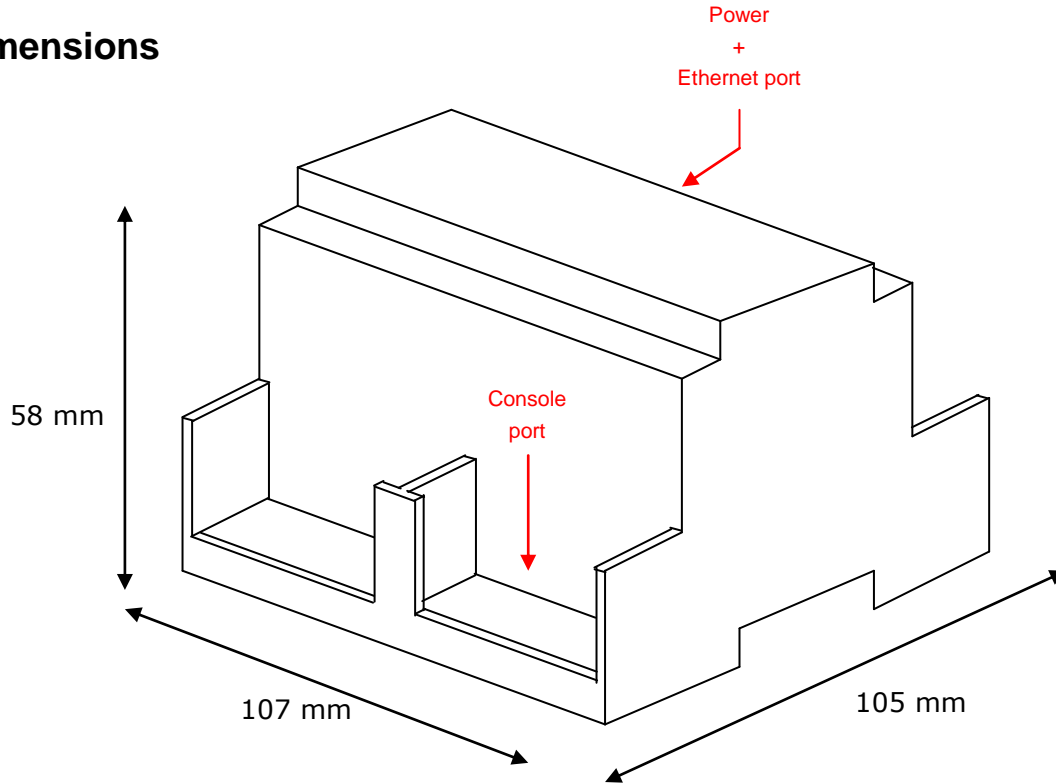
Mechanical & Electrical characteristics



Enclosure	Plastic, type PC (UL 94 V-0). Dimensions: 107mm x 105mm x 58mm.
Color	Light Grey. RAL 7035.
Power	9 to 30Vdc +/-10% 1.4W. 24Vac +/-10% 1.4VA. Plug-in terminal bloc for power connection (2 poles).
Mounting	Wall. DIN rail EN60715 TH35.
BACnet/IP and Modbus TCP port	1 x Ethernet 10BT RJ45.
LED indicators	1 x Power. 2 x Ethernet port (LNK, ACT).
Console port	RS232. DB9 female connector (DCE).
Configuration	Via console port. ¹
Firmware	Allows upgrades via console port.
Operational temperature	0°C to +70°C
Operational humidity	5% to 95%, non condensing
Protection	IP20 (IEC60529).
RoHS conformity	Compliant with RoHS directive (2002/95/CE).
Certifications	CE

¹ Standard cable DB9male-DB9female 1,8 meters long is supplied with the device for connection to a PC COM port for configuring and monitoring the device. The configuration software, compatible with Windows[®] operating systems, is also supplied.

Dimensions



Recommended available space for its installation into a cabinet (wall or DIN rail mounting), with space enough for external connections

